



### Cavity Filter

- ◆ High Rejection
- ◆ Low Insertion Loss
- ◆ Miniaturization
- ◆ Excellent Reliability
- ◆ Customization available

The HRT-BF(1747.5/75)-113N is a cavity band pass filter. The pass band is 1710-1785MHz. It has excellent rejection  $\geq 70\text{dB}@F0 \pm 70\text{MHz}$ . It has a maximum insertion loss of 0.5dB. The filter has N-Female connectors.



### Electrical Specifications

Parameters	Units		Specifications
Center Frequency(CF)	MHz		1747.5
Pass Band Frequency	MHz		1710-1785
Insertion Loss	dB	Max	0.5dB@CF
Pass Band Flatness	dB	Max	TBD
VSWR	/	Max	1.4:1
Group Delay Variation	ns	Max	TBD
Phase Matching	deg	Max	TBD
Rejection	$\geq 70\text{dB}@F0 \pm 70\text{MHz}$		
Power Handling	50W cw max		

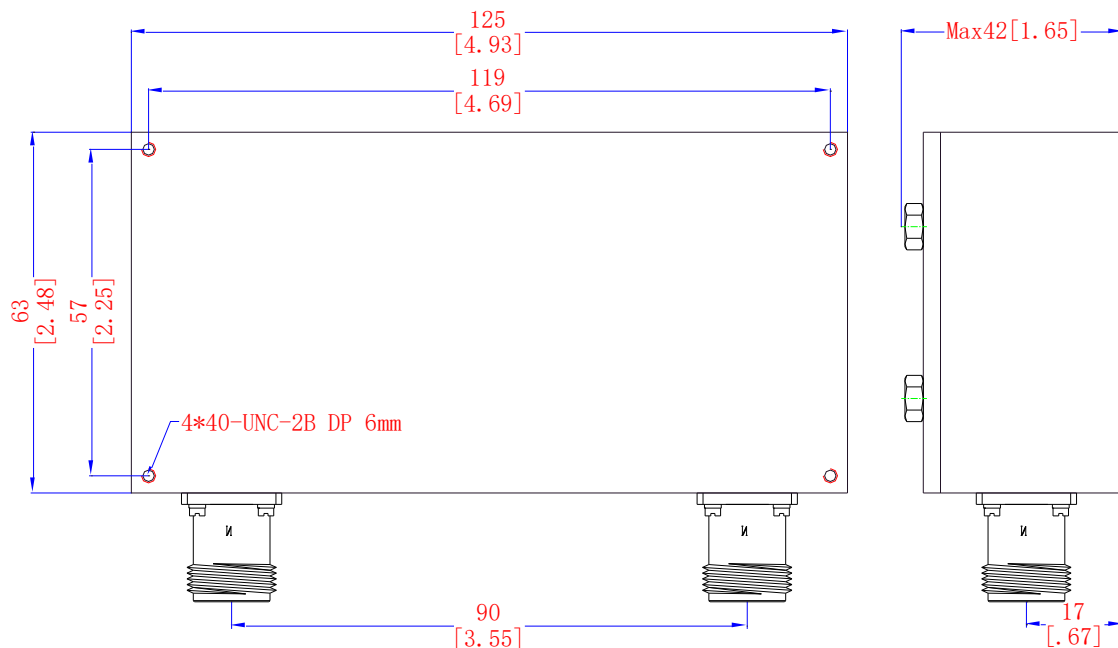
**50 ohms Coaxial Cavity Band Pass Filter**

SN:0937-150610 Version: A0

Mechanical Specifications		Environmental Specification	
Parameter	Specification	Parameter	Specification
Input Connectors	N-Female (50Ω)	Operating Temp.	-40°C to +70°C
Output Connectors	N-Female (50Ω)	Storage Temp.	-55°C to +85°C
ROHS	Yes	Environment Class	TBD
Material	Aluminum (6061)	Altitude	30,000 ft.
Weight(Kg)	0.4		(Epoxy Sealed Controlled environment)
Surface Finish	Black Painted	Humidity	95%RH at 40°C
Shock	20G for 11msec half sine wave,3 axis both directions		
Note			

### Outline Drawing:

All Dimensions in mm (inches)

 Outline Tolerances  $\pm 0.3(0.012)$ 


**Test Plot**
