



### Lowpass Filter

- ◆ High Rejection
- ◆ Low Insertion Loss
- ◆ Miniaturization
- ◆ Excellent Reliability
- ◆ Customization available

The HRT-LF(DC/18000)-982S is a microstrip lowpass filter. The pass band is DC-18000MHz. It has excellent rejection  $\geq 50\text{dB}$ @20700-25000MHz. It has a maximum insertion loss of 1.0dB. The lowpass filter has SMA-Female connectors.



Electrical Specifications			
Parameters	Units		Specifications
Pass Band Frequency	MHz		DC-18000
Insertion Loss	dB	Max	1.0
Ripple	dB	Max	TBD
VSWR	dB	Min	1.5:1
Group Delay Variation	ns	Max	TBD
Phase Matching	deg	Max	TBD
Rejection	$\geq 50\text{dB}$ @20700-25000MHz		
Power Handling	15W cw max		

**50 ohms Microstrip Low Pass Filter**

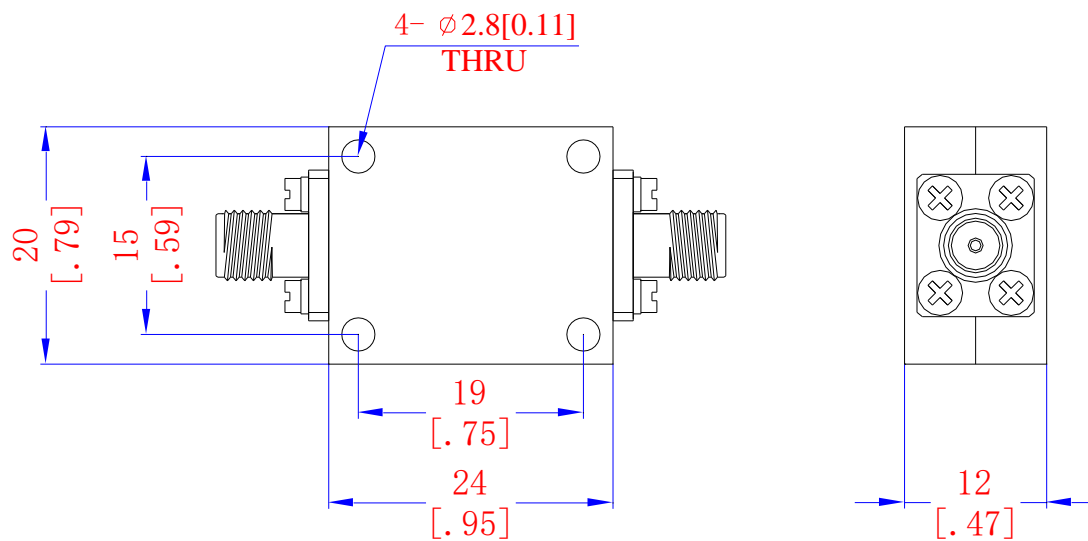
SN:1915-190624

Version: A0

Mechanical Specifications		Environmental Specification	
Parameter	Specification	Parameter	Specification
Input Connector	SMA-Female (50Ω)	Operating Temp.	-40°C to +70°C
Output Connector	SMA-Female (50Ω)	Storage Temp.	-55°C to +85°C
ROHS	Yes	Environment Class	TBD
Material	Aluminum (6061)	Altitude	30,000 ft.
Weight(Kg)	TBD		(Epoxy Sealed Controlled environment)
Surface Finish	Black Painted	Humidity	95%RH at 40°C
Shock	20G for 11msec half sine wave,3 axis both directions		
Note			

### Outline Drawing:

All Dimensions in mm (inches)

 Outline Tolerances  $\pm 0.3(0.012)$ 


**Test Plot**

Trc1	S11	SWR	150 mU/	Ref 1 U	Cal
Trc2	S12	dB Mag	0.7 dB /	Ref 0 dB	Cal
Trc3	S21	dB Mag	10 dB /	Ref 0 dB	Cal
Trc4	S22	SWR	150 mU/	Ref 1 U	Cal

1

