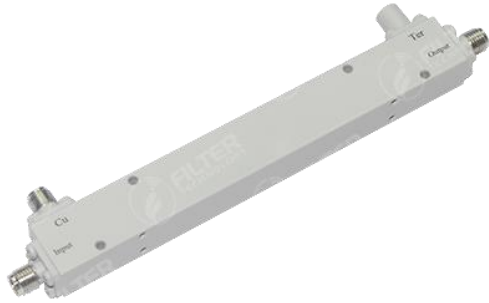


50 ohms 10dB SMA-Female Directional Coupler From 0.5GHz to 18GHz Rated at 50 Watts



Directional Coupler

- ◆ Low Insertion Loss
- ◆ Low Coupling Flatness
- ◆ High Directivity
- ◆ Excellent Reliability
- ◆ Customization available

The HRT-DQ(500/18000)-10S is a 10dB directional coupler that operates from 0.5 to 18 GHz and can handle up to 50 Watts . This SMA directional coupler offers 10 dB directivity and 1.6:1 max VSWR. The package interface uses SMA on all of the ports.



Electrical Specifications

Parameters	Units		Specifications
Frequency Range	MHz		500-18000
Nominal Coupling	dB		10
Nominal Coupling Loss	dB		0.45
Coupling Flatness	dB	Max	±1.0
Directivity	dB	Min	10
Insertion Loss (Excluding Nominal Coupling Loss)	dB	Max	1.2
VSWR Primary	/	Max	1.6:1
VSWR Secondary	/	Max	1.6:1
Power Handling	50 Watts cw (Forward Power)		

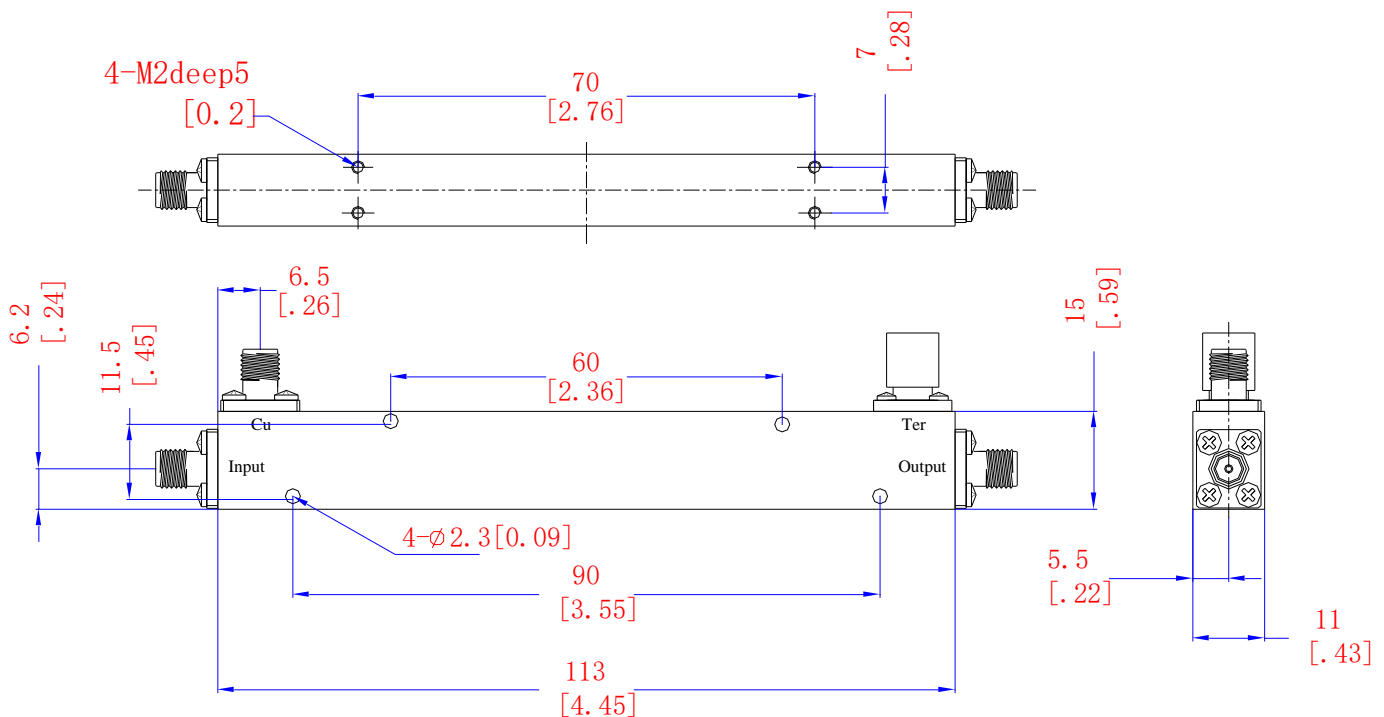
50 ohms 10dB SMA-Female Directional Coupler From 0.5GHz to 18GHz Rated at 50 Watts

Mechanical Specifications		Environmental Specification	
Parameter	Specification	Parameter	Specification
Input and Output Connectors	SMA-Female (50Ω)	Operating Temp.	-40°C to +70°C
Coupling Port Connector	SMA-Female (50Ω)	Storage Temp.	-55°C to +85°C
ROHS	Yes	Environment Class	TBD
Material	Aluminum (6061)	Altitude	30,000 ft. (Epoxy Sealed Controlled environment)
Weight(Kg)	TBD		
Surface Finish	Black Painted	Humidity	95%RH at 40°C
Shock	20G for 11msec half sine wave,3 axis both directions		
Note			

Outline Drawing:

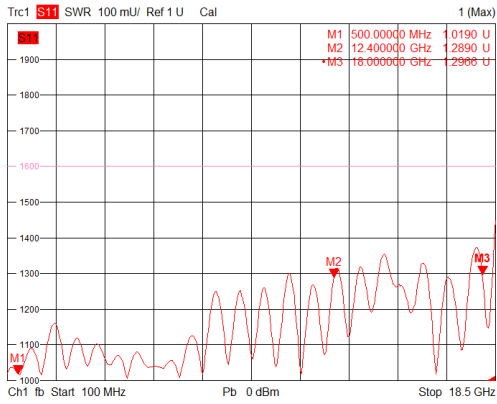
All Dimensions in mm (inches)

Outline Tolerances ±0.3(0.012)

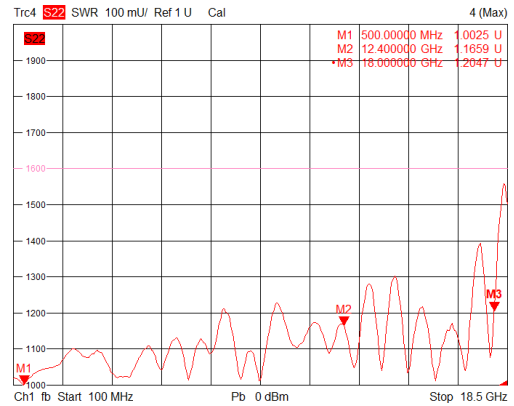


50 ohms 10dB SMA-Female Directional Coupler From 0.5GHz to 18GHz Rated at 50 Watts

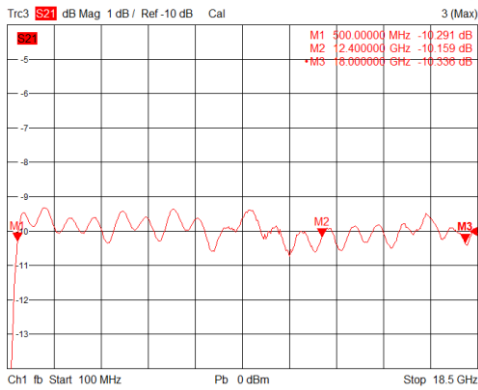
VSWR Primary



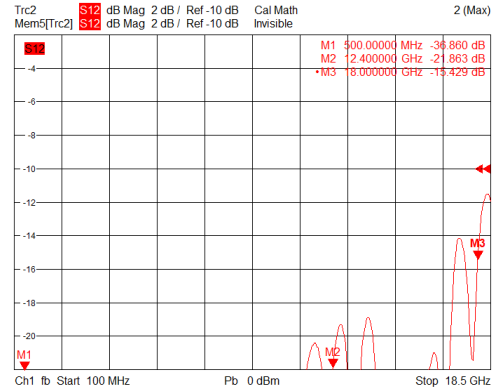
VSWR Secondary



Coupling



Directivity



Insertion Loss

